



INDION®

2000Pro INDION 4-WIRE TRANSMITTER & CONTROLLER

2000Pro series Analyzers for pH/ORP/Conductivity/TDS measurements incorporate state of the art technology to provide flexible and reliable solutions to the customer for their Process Monitoring and Control needs. Any of the measurements from pH / Redox (ORP) / Conductivity / Total Dissolved Solids (TDS) can be freely selected for use with the 2000Pro Analyzer via software, thus reducing the need of individual dedicated controllers; The 2000Pro can be picked up off the shelf and can be used for any of the above measurements.



FEATURES & BENEFITS

- Multi parameter Measurements of pH / ORP / Conductivity / TDS eliminates the need for a Variety of dedicated controllers.
- 2 nos. 4-20 mA Isolated Outputs & 2 nos. Relay Outputs
- Modbus RS 485 Output
- Non Volatile Memory
- High visibility Backlit display
- Guided calibration procedures
- Membrane Key pad
- Wall , Pipe , Field Mounted

MANUFACTURING UNIT: ION EXCHANGE INDIA LIMITED 105, SIPCOT, INDUSTRIAL COMPLEX, SIPCOT, HOSUR TAMIL NADU, INDIA
PHONE NO: 04344 304600. WEBSITE: www.ionindia.com

SALES OFFICE: ION HOUSE, NO. C-72 & 83, DEVASANDRA INDUSTRIA AREA, ITI ANCILLARY INDUSTRIAL ESTATE, ITPL WHITEFIELD ROAD,
MAHADEVAPURA POST, BANGALORE-560 048 INDIA, PHONE NO: 080220 42888, EMAIL: inst.sales@ionexchange.co.in



SPECIFICATION INFORMATION:

Measurement	pH, ORP, Conductivity, TDS (Selectable Via Software)
Display	Graphic LCD with Backlit display with Membrane Key pad
Display Dimension	60*30 mm
Power Requirements	100 – 270 VAC \pm 10%, 50/60 Hz
Operating condition	Temperature : 0 - 65°C, RH – 0-95% Non-condensing
Storage Condition	Temperature : 0 - 75°C,
Analog Output Signal	4-20mA isolated current outputs, max 600 Ω
Analog Output Function	Retransmission
Relays	Two Nos. electromechanical SPDT ; 10A ;115/230 VAC
Relays Operation Mode	Control and Alarm
Digital Communication	Modbus RS 485 Output
Memory	Non Volatile
Calibration Methods	As per Sensor Input
Test / Maintenance	Provides Analog Output Test Signals to confirm operation of connected devices and Test Relay Operation
Enclosure	Thermoset Plastic
Enclosure Rating	IP 65
Mounting	Wall ; Pipe ; Panel , Field
Cable Entry	1/2" NPT; 6 Nos.
pH range	0.00 to 14.00 pH
ORP Range	-2000 to 2000 mV
Conductivity Range	μ S/cm : 0.00-20.00, 0.0-200.0,0-2000 , mS/cm : 0.00-20.00
TDS Range	ppm : 0.00-10.00, 0.0-100.0,0-1000 , ppt : 0.00-10.00
Accuracy	pH \pm 0.2% of Reading ,ORP \pm 10 mV , Cond. \pm 1% of Reading
Temperature Compensation	Automatic or manual , Pt100 / Pt1000
Calibration Methods	2-point buffer (pH only), 1-point sample (pH or ORP) Conductivity / TDS - Zero point and 1 point sample

MANUFACTURING UNIT: ION EXCHANGE INDIA LIMITED 105, SIPCOT, INDUSTRIAL COMPLEX, SIPCOT, HOSUR TAMIL NADU, INDIA
PHONE NO: 04344 304600. WEBSITE: www.ionindia.com

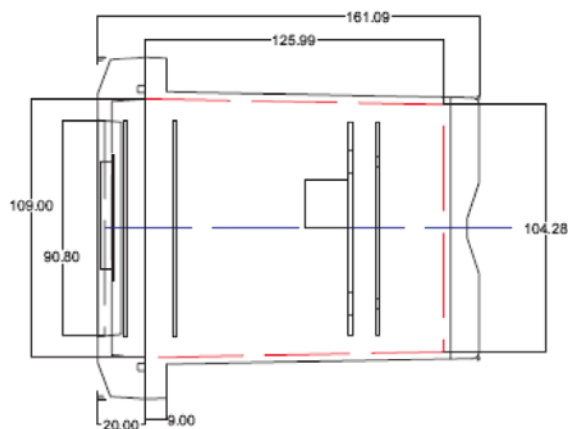
SALES OFFICE: ION HOUSE, NO. C-72 & 83, DEVASANDRA INDUSTRIA AREA, ITI ANCILLARY INDUSTRIAL ESTATE, ITPL WHITEFIELD ROAD,
MAHADEVAPURA POST, BANGALORE-560 048 INDIA, PHONE NO: 080220 42888, EMAIL: inst.sales@ionexchange.co.in



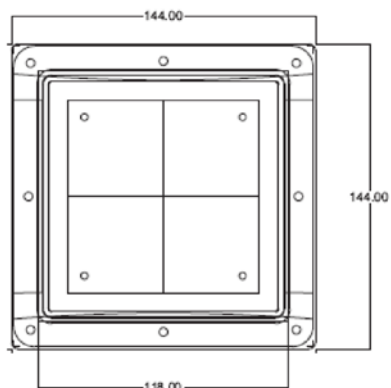
DIMENSION DETAILS:



FRONT VIEW



SIDE VIEW



PANEL CUT-OUT

MANUFACTURING UNIT: ION EXCHANGE INDIA LIMITED 105, SIPCOT, INDUSTRIAL COMPLEX, SIPCOT, HOSUR TAMIL NADU, INDIA
PHONE NO: 04344 304600. WEBSITE: www.ionindia.com

SALES OFFICE: ION HOUSE, NO. C-72 & 83, DEVASANDRA INDUSTRIA AREA, ITI ANCILLARY INDUSTRIAL ESTATE, ITPL WHITEFIELD ROAD,
MAHADEVAPURA POST, BANGALORE-560 048 INDIA, PHONE NO: 080220 42888, EMAIL: inst.sales@ionexchange.co.in